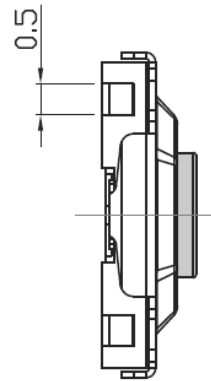
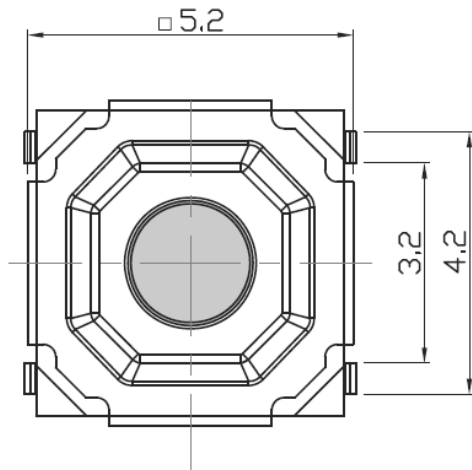
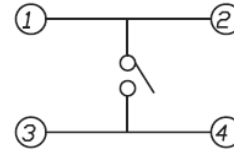


DIMENSIONS

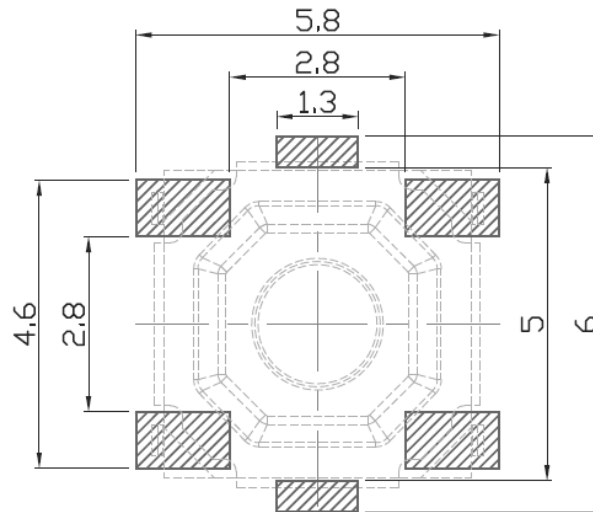
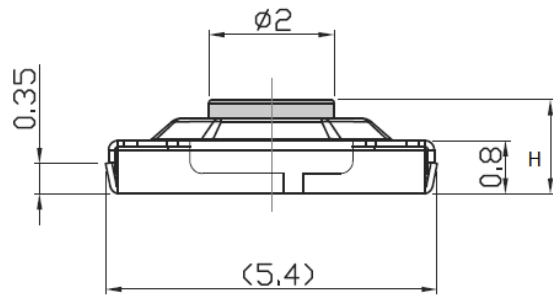


CIRCUIT DIAGRAM



P.C.B MOUNTING PATTERN DIMENSION

The following soldering patterns are recommended for reflow soldering



SPECIFICATIONS :

1. RATING : DC 12V, 50mA Max
2. OPERATING FORCE : 160±30gf(N) or 250±50gf(R)
3. CONTACT RESISTANCE : 100mΩ Max
4. TRAVEL : 0.25±0.1 mm
5. LIFE : 100,000 Cycles Min

			F	3.0
B	Black	PolyAmide	E	1.6
GY	Grey	PolyAmide	D	1.7
W	White	PolyAmide	C	2.3
S	Silver	Brass	B	4.3
GD	Gold	Brass	A	1.5
Knob	Color	Material	H	mm

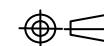

 銓基電子股份有限公司
 ROKI ELECTRONICS CO., LTD.

PART NAME : TACT SWITCH

PART NO : TS10MJ-□□-□□-G-PF Series

TOLERANCE : ±0.2 mm

UNIT : mm



VER : R01